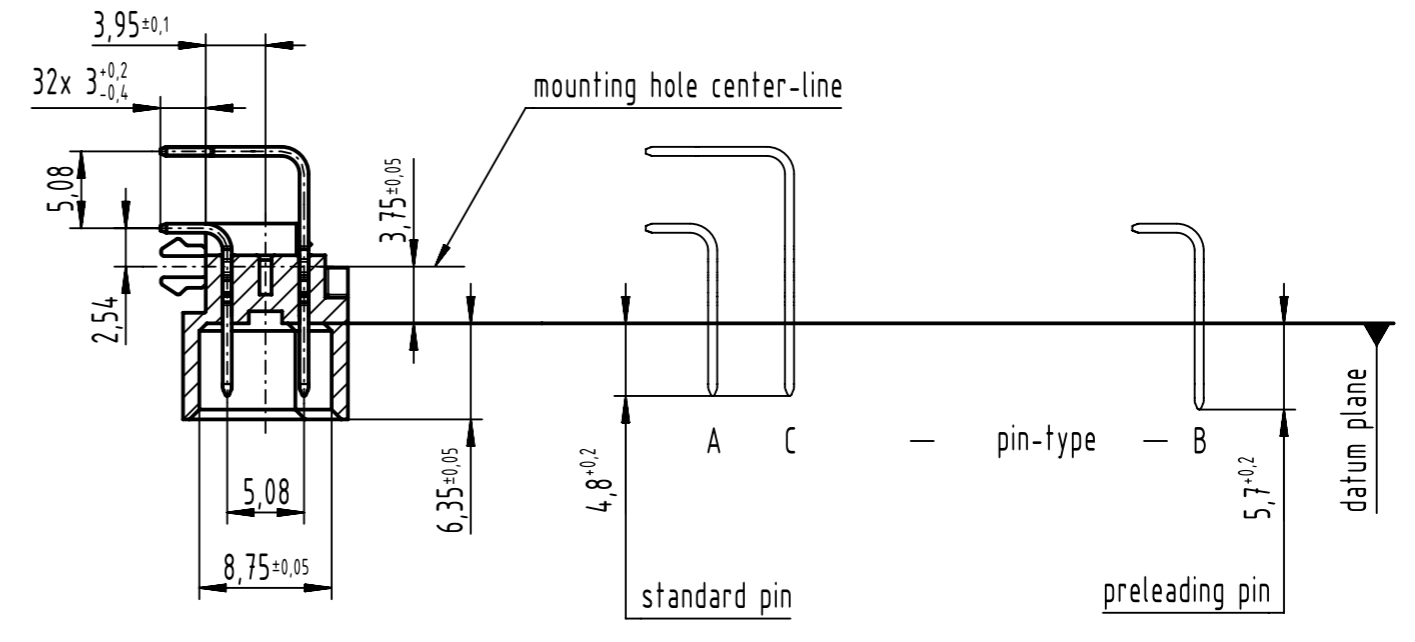
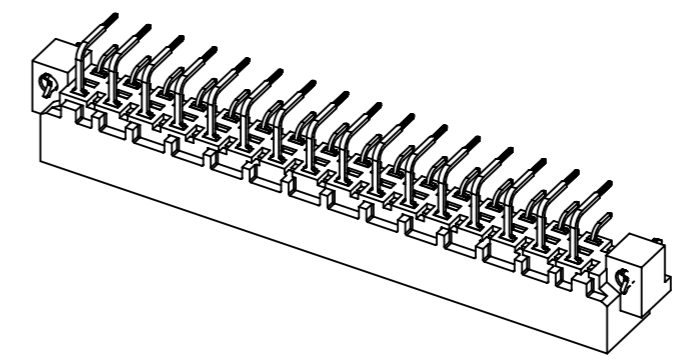
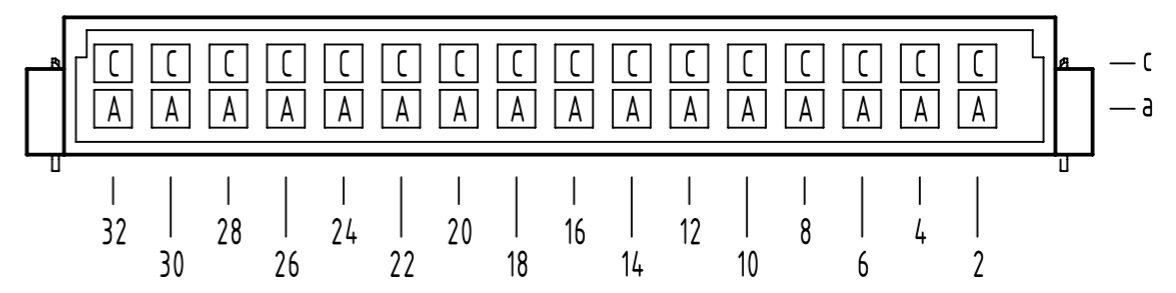


A-A (2:1)



B

contact loading



09 04 332 5921 015	Au30
09 04 332 6921	2
part no.	performance level 1

1 further information see: DS 09041000201

<p>All rights reserved</p> <p>Department EL PD</p> <p>HARTING Electronics GmbH</p> <p>D-32339 Espelkamp</p>	<p>All Dimensions in mm</p> <p>Original Size DIN A3</p>	<p>Scale 1:1</p>	<p>Free size tol.</p> <p>IEC 60603-2</p>	<p>Ref.</p> <p>Sub.</p>
	<p>Created by LEHNERT</p>	<p>Inspected by STORCK</p>	<p>Standardisation 302077</p>	<p>Date 2020-10-15</p>
<p>Title DIN Power type D male solder 5.08 with clip 32-pole</p>				<p>Doc-Key / ECM-Nr.</p> <p>100184595/UGD/053/C</p> <p>500000181308</p>
<p>Type TB</p>		<p>Number 0904332X921</p>		<p>Rev. C</p>
				<p>Page 1/1</p>